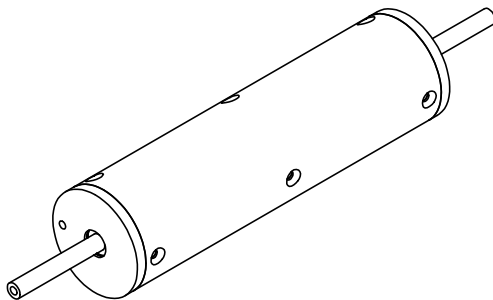
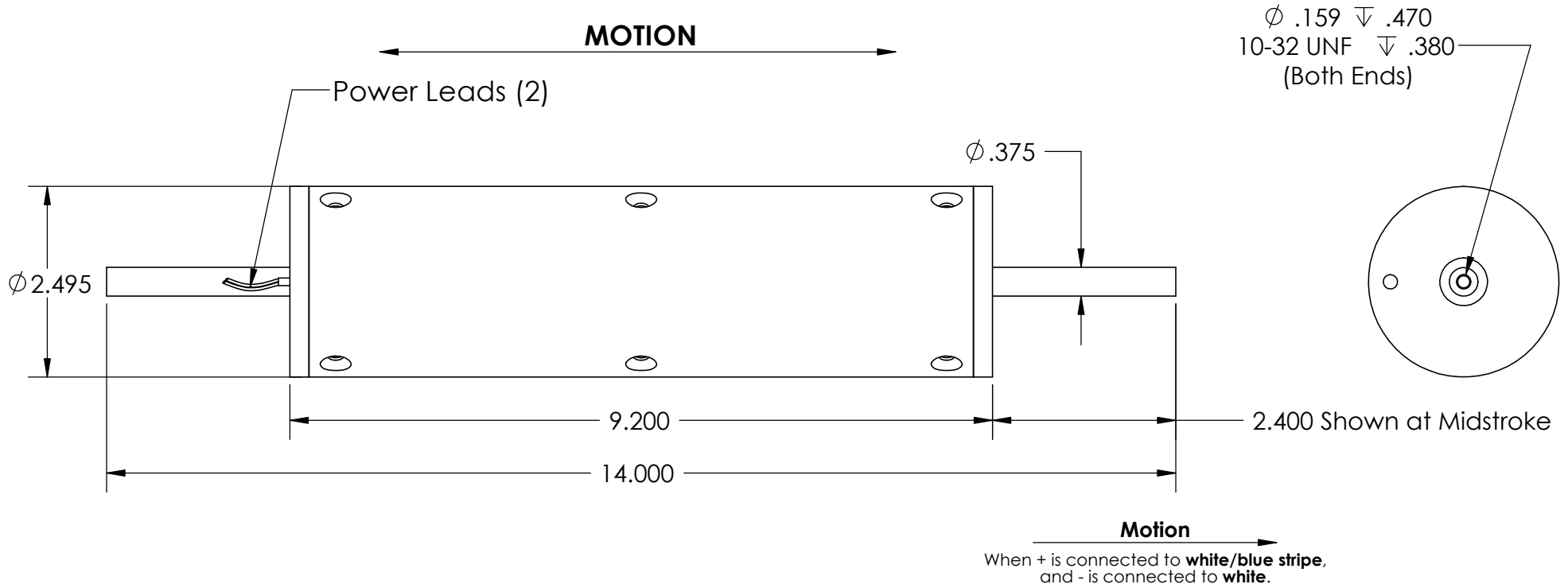


These drawings and specifications are the property of H2W Technologies, Inc. They are issued in confidence and shall not be reproduced, copied, or used without written permission from H2W Technologies, Inc. (www.h2wtech.com)



UNLESS SPECIFIED OTHERWISE:
 All dimensions are in inches
 Standard Tolerances are as follows
 .XXX ±.005 ANGLES ±1°
 .XX ±.010 FILLETS .010
 X ±.020 CORNERS .010
 Remove All Burrs and Sharp Edges

MATERIAL			
FINISH			
DRAWN JRM	DATE 5-22-06	APPROVED MPW	DATE 5-22-06

TITLE Moving Magnet Non-Comm Actuator Model# NCM30-25-090-2LB			
DWG # 30-0489	REV A	SHEET 1 of 2	

H2W Technologies, Inc.
 28310-C Ave Crocker Valencia, CA 91355 USA
 Tel: (661)-702-9346 Fax: (661)-702-9348
 www.h2wtech.com

MOVING MAGNET NON-COMM ACTUATOR SPECIFICATIONS		
Motor P/N	NCM30-25-090-2LB	
Stroke	3.0 "	76.2 mm
Radial Clearance	N/A in	N/A mm
Bearing Type	Linear Bushings	
Moving Mass	1.70 lbs	770 grams
Total Mass	7.75 lbs	3500 grams
Resistance @ 20C	5.8 ohms	
Inductance @ 20C	6.0 mH	
Electrical Time Constant	1.03 msec	
Motor Constant	1.66 LBS/SQRT(Watt)	7.39 N/SQRT(Watt)
Force Constant	4.0 LBS/Amp	17.8 N/Amp
Back EMF	0.45 V/ips	17.8 V/m/sec
Continuous Force	9.0 LBS	40.1 N
Max Power @ 100% Duty	120 Watts	
Peak Force	27.0 LBS	120 N
Max Power @ 10% Duty	1084 Watts	

TITLE	Moving Magnet Non-Comm Actuator Model# NCM30-25-090-2LB		
DWG #	30-0489	REV	A
		SHEET	2 of 2